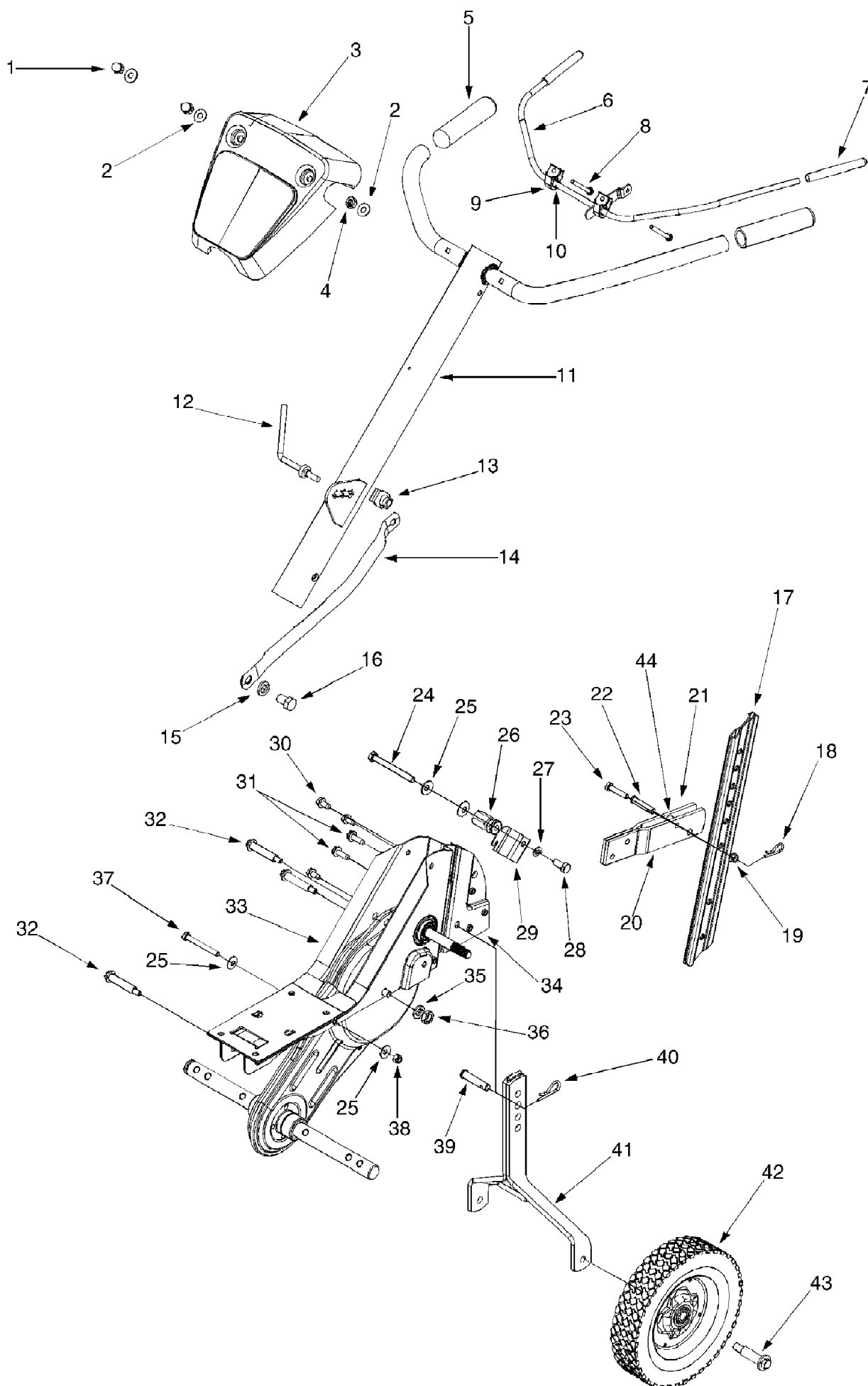


21A-354-190 RB-500 (2000)
Drive Assembly

Page 2 of 4

Ref #	Part Number	Qty	S/P/F	Description
1	712-0392	1	/P	Hex L-Stop nut 1/4-28
2	736-3020	1	S	Flat Wash. .266" I.D. x .625" O.D.
3	710-0599	1	/P	Hex Washer Screw 1/4-20 x .5"
4	711-0920	1		Belt Cover Bolt
5	712-3004A	1	/P	Hex Flange Top L-Nut 5/16-18
6	710-0723	1	/P	Hex Hd. Scr. 3/8-16 x 1.25" Lg.
7	756-0313	1	/P	FI-Idler 2.12" O.D.
8	786-0149	1		Idler Belt Keeper
9	786-0144	1	S	Idler Bracket
10	712-0266	1	S	Hex Cent. Jam Nut 3/8-16 Thd.
11	786-0057	1	/P	Belt Cover
12	710-0599	1	/P	Hex Washer Screw 1/4-20 x .5"
13	786-0043A	1	/P	Tine Shield
14	710-3008	1	/P	Hex Hd. Cap Scr. 5/16-18 x .75" Lg
15	712-3004A	1	/P	Hex Flange Top L-Nut 5/16-18
16	686-0091	1	S	Chain Case Assembly Complete
17	686-0106	1	S	Tine Disc Ends
18	714-0149B	1	S	Internal Cotter Pin
19	711-0415	1	S	Clevis Pin
20	642-0023	1	S	Outer Tine Assembly L.H.
	642-0024	1	S	Outer Tine Assembly R.H.
21	642-0003	1	S	Inner Tine Assembly L.H.
	642-0002	1	S	Inner Tine Assembly R.H.
22	746-0918	1	S	Forward Clutch Cable
23	786-0053	1	S	Tine Shield Bracket
24	736-0171	1	S	L-Wash. 7/16" I.D.
25	712-0240	1	S	Hex Nut 7/16-20 Thd.
26	710-0502A	1	/P	Hex Washer Screw 3/8-16 x 1.25"
27	786-0145A	1	/P	Engine Plate
28	786-0039B	1	S	Bracket Cover
29	736-0119	1	S	Lock Washer 5/16
30	710-0107	1	/P	Hex Bolt 5/16-24 x .5"
31	756-0971	1		Inner Engine Pulley Half
32	756-0972	1		Outer Engine Pulley Half
33	736-0258	1	/P	Flat Washer .385 ID x 1.0 OD
34	736-0169	1	S	Lock Washer 3/8
35	710-0191	1	/P	Hex Bolt 3/8-24 x 1.25"
36	736-0112	1	/P	Bell-Wash. .525" I.D. x 1.5" O.D.
37	712-3029	1	/P	Hex Jam Nut 1/2-20 Thd. (Gr. 5)
38	736-0312	1		Retainer Washer Bearing
39	756-0585	1		FI-Pulley 6" Dia.
40	754-0428	1	S	V-Belt (Forward)
41	750-0892	1	S	Spacer .64" Dia. x 2.4" Lg.
42	748-0350	1	S	Pulley Mounting Adapter

21A-354-190 RB-500 (2000)
Handle And Wheels



21A-354-190 RB-500 (2000)
Handle And Wheels

Page 4 of 4

Ref #	Part Number	Qty	S/P/F	Description
1	712-0442	1	S	Acorn Lock Nut 1/4-20
2	736-3020	1	S	Flat Washer .271" I.D. x .630" O.D.
3	731-1599	1		Handle Cover
4	712-0287	1	S	Hex Nut 1/4-20 Gr.2
5	720-0274	1	/P	Grip-Handle
6	686-0083	1	S	Clutch Handle Assembly
7	720-0269	1		Grip-Clutch
8	710-0641	1	/P	Hex Bolt 1/4-20 x 2.25" Lg. Gr.5
9	731-1645A	1	S	Clutch Handle Holder
10	736-0140	1	S	Flat Washer .385" I.D. x .62" O.D.
11	649-0039	1		Handle Assembly Comp.
12	647-0042	1		Adjustment Crank
13	726-0211	1	S	U Nut 5/16-18
14	749-1101	1		Handle Brace
15	736-0921	1	S	Lock Washer 1/2
16	710-3194	1		Hex Bolt 1/2-20 Gr. 5
17	786-0005	1	S	Depth Bar
18	714-0149B	1	S	Cotter Pin
19	712-3004A	1	/P	Hex Flange L-Nut 5/16-18
20	786-0003	1	S	Tail Piece Bracket (L.H.)
21	786-0004	1	S	Tail Piece Bracket (R.H.)
22	711-0415	1	S	Clevis Pin
23	710-0805	1	/P	Hex Bolt 5/16-18 x 1.5" Lg.
24	710-0189	1	/P	Hex Bolt 5/16-18 x 3" Lg.
25	736-0242	1	/P	Wash. Bell. .340" I.D. x .872" O.D.
26	711-1036	1		Spec. Hex Nut
27	736-0119	1	S	L-Wash. 5/16" I.D.
28	710-3008	1	/P	Hex Bolt 5/16-18 Gr. 5
29	786-0129	1	S	Cable Guide Bracket
30	710-0604	1	S	Hex Wash Screw 5/16-18 x .62"
31	710-0602	1	/P	Hex Wash. Hd. TT-Tap Scr.
32	738-0934	1		Shdl. Bolt 5/16-18
33	786-0138	1		Frame (R.H.)
34	786-0139	1	S	Frame (L.H.)
35	736-0171	1	S	Lock Washer 7/16
36	712-0240	1	S	Jam Nut 7/16-20 Gr. 2
37	710-0176	1	/P	Hex Bolt 5/16-18 x 2.75" Lg.
38	712-0429	1	S	Hex Nut 5/16-18 Thd.
39	711-0415	1	S	Clevis Pin
40	714-0149B	1	S	Cotter Pin
41	686-0081A	1	S	Wheel Hanger Brkt. Assy
42	734-1566	1	S	Wheel Ass'y 8" x 1.75"
43	738-0929	1		Shoulder Screw .496 x 1.445
44	750-0890	1		Spacer